

MFD

MOBILE WELDING FUME EXTRACTOR

The MFD is a mobile filter unit with integrated fan that provides extraction and filtration for use with a flexible extraction arm or extraction hose.

The MFD features an aluminum spark arrester and a square disposable cellulose filter cartridge. This filter cartridge is provided with a precoat to extend the life span and increases initial operating efficiency of the filter. A filter pollution indicator indicates when filter replacement is required.

Thanks to the four transport wheels (two of which are swivel casters), the MFD is extremely suitable to be used in relatively small facilities or near sources of pollution without a fixed location. Extraction arm/hose to be ordered separately.



APPLICATIONS

The MFD is intended to be used for the following applications:

- MIG-MAG/GMAW welding (annual use: <700 kg/1500 lbs)
- TIG welding
- FCAW welding (annual use: <700 kg/1500 lbs)
- stick/MMAW welding (annual use: <500 kg/1100 lbs)



Do **not** use the MFD for the following applications or in the following circumstances:

- arc-air gouging
- aluminium laser cutting
- oil mist
- heavy oil mist in welding fume
- extraction of aggressive fumes and gases (e.g. from acids, from alkaline, from soldering paste containing lithium)
- extraction of hot gases (more than 45°C/113°F continuously)
- grinding aluminum and magnesium
- flame spraying
- extraction of cement, saw dust, wood dust etc.
- sucking cigarettes, cigars, oiled tissues and other burning particles, objects and acids
- explosive environments or explosive substances/gases



SPECIFICATIONS

Physical dimensions and properties



Material housing	polypropylene
Colour:	
• Filter cover and control panel cover	• yellow RAL 1028
• Base	• grey RAL 7024
Weight (net)	82 kg (181 lbs)
Supply cable	6 m (20 ft) without plug

Filters

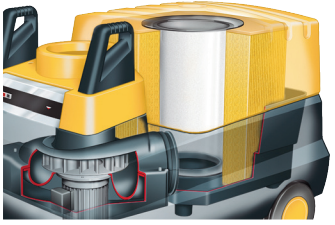

Material:	
• Pre filter	• aluminium
• DuraFilter FCC-50	• phenol impregnated cellulose + polyurethane + cardboard
Filter surface area:	
• Pre filter	• 0,5 m ² (5.38 ft ²)
• DuraFilter FCC-50	• 50 m ² (538 ft ²)

Treatment	SurfacePlus precoat on DuraFilter FCC-50
Efficiency:	
• Pre filter	• 80%<90%
• DuraFilter FCC-50	• >99%
Filter class:	
• Pre filter	• G3 according to DIN EN 779
• DuraFilter FCC-50	• M according to NEN EN IEC 60335-2-69
Performance	
Fan type	radial
Unrestricted airflow	2400 m ³ /h (1413 CFM)
Net extraction capacity	1250 m ³ /h (736 CFM)
Speed	2800 rpm
Noise level	69 dB(A) according to ISO 3746
Electrical data	
Power consumption	0,75 kW (1 HP)
Available connection voltages	refer to order information
Insulation class	F
Protection class	IP 50
Ambient conditions	
operating temperature:	
• min.	• 5°C (41°F)
• nom.	• 20°C (68°F)
• max.	• 45°C (113°F)
Max. relative humidity	80%
Outdoor use allowed	no
Storage conditions	• 5-45°C (41-113°F) • relative humidity max. 80%
Product combinations	
Flex-3/4, UltraFlex-3/4	extraction arm
SUS-5/203	extraction hose
Available options	
FAC-50	activated carbon filter

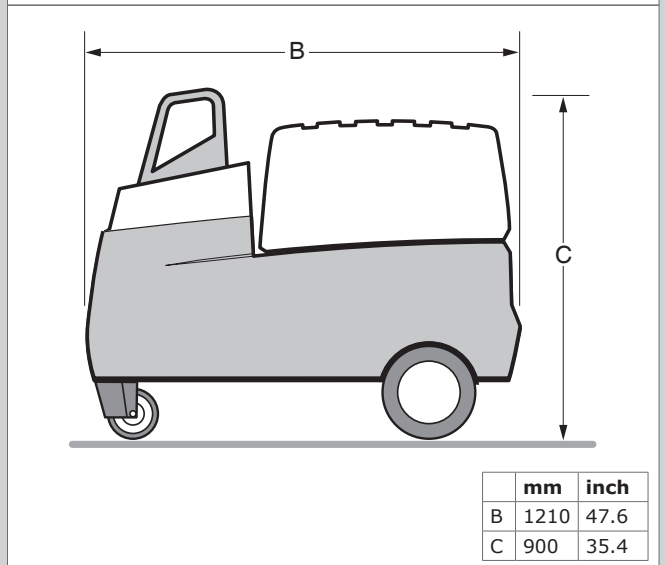
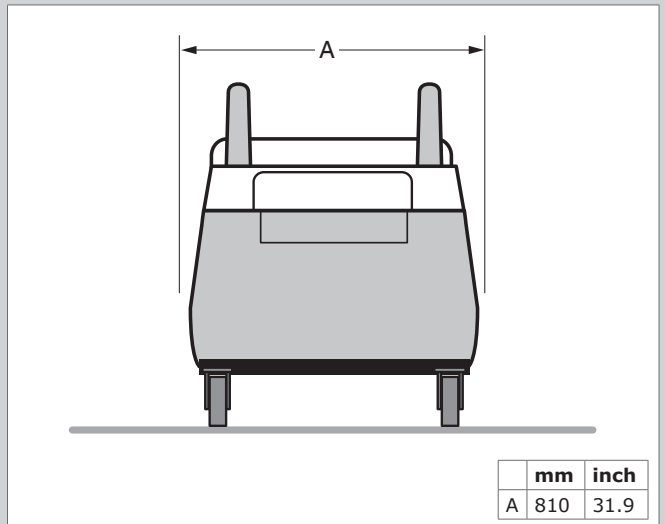
TRK-MFD	transformer/relay kit (in case of WL or WL+AST in connected extraction arm)
■ Scope of supply Mobile unit - Hose 65 cm (25.6 in.) - Hardware	
■ Order information Article numbers: • 7028100000 • 0000102345 • 7022110000 • 7022120000 • 7023100000 • 7025100000 • 7025120000	
MFD:	• 115V/1~/50Hz • 115V/1~/60Hz • 230V/1~/50Hz • 230V/1~/60Hz • 230V/3~/50Hz • 230V/3~/60Hz • 400V/3~/50Hz • 400V/3~/60Hz
Number/package	1
■ Shipping data Gross weight (incl. pallet) 103 kg (227 lbs) Packing dimensions 120 x 80 x 105 cm (47.2 x 31.5 x 41.3 in.) Max. number/pallet 1 Harmonized Tariff Code 8421.39.2090 Country of origin the Netherlands	

■ Approvals/certificates 	
	Directive 2011/65/EC (RoHS) valid as of 8 June 2011

FEATURES

Large filter surface area	
Filter pollution indicator on control panel	

DIMENSIONS



Product type	MFD
Article no.	refer to order information
Product category	portable/mobile welding fume extractors
Version	290319/J

Always check the latest version on www.plymovent.com